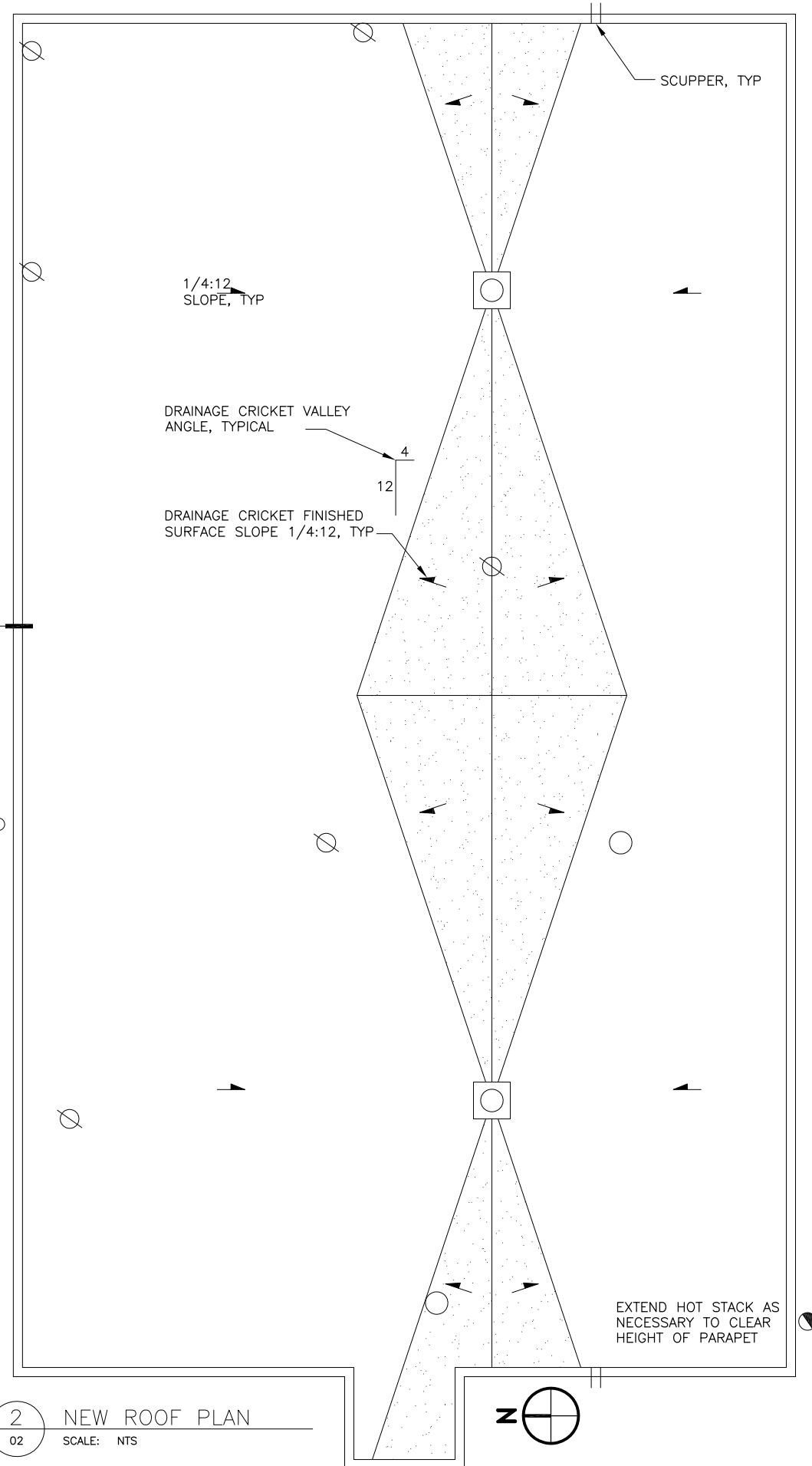


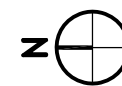
1 EXISTING ROOF PLAN  
02 SCALE: NTS



THE INTENT OF THIS DRAWING IS TO SHOW GENERAL SCOPE OF WORK.



2 NEW ROOF PLAN  
02 SCALE: NTS



MATANUSKA SUSITNA BOROUGH  
FIRWEED BUILDING ROOF REPLACEMENT

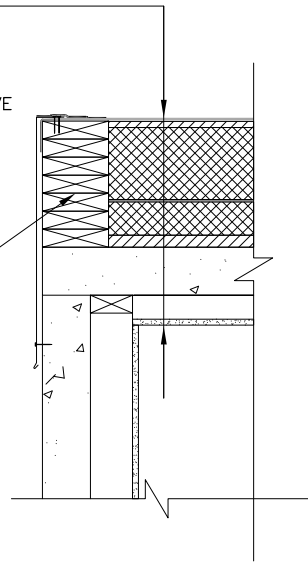
533 E Firweed Avenue  
Palmer, Alaska

Drawn	
Date	
Sheet Contents:	
<b>CONCEPTUAL PLANS</b>	
Sheet No.:	

02

- EXISTING ROOF ASSEMBLY
- 5-PLY BUR - REMOVE
- 1/2" FESCO BOARD - REMOVE
- 6" EPS - REMOVE
- 3-PLY BUR - REMOVE
- 2 3/4" FESCO BOARD - REMOVE
- 1" FIBER BOARD - REMOVE
- 4" CONCRETE ROOF DECK
- WOOD FURRING
- PAINTED SHEET ROCK CEILING

WOOD BLOCKING AT PERIMETER - REMOVE



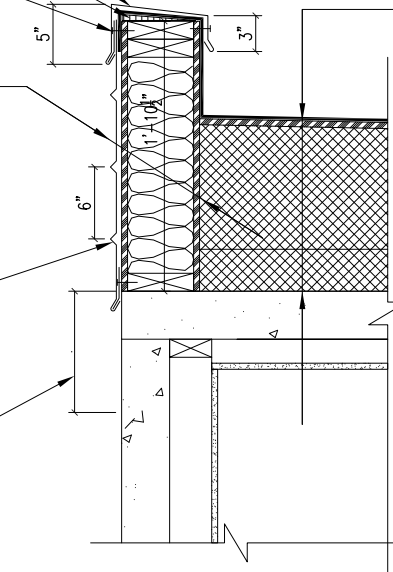
2 EXISTING ROOF AT EDGE  
03 SCALE: NTS

- 24 GA PREFINISHED METAL PARAPET COPING
- CEDAR BEVEL SIDING FOR SLOPE
- CONTINUOUS WIND CLEAT

- PARAPET CONSTRUCTION
- 24 GA PREFINISHED SHEET METAL FASCIA
- AIR BARRIER
- 1/2" PLYWOOD SHEATHING
- 2X6 STUD 16" OC W/ FULL BATT INSULATION
- 1/2" PLYWOOD SHEATHING

CONTINUOUS STIFFENER CRIMPS

PREP, PRIME AND PAINT THIS AREA TO MATCH REMAINDER OF WALL



- NEW ROOF ASSEMBLY
- 60 MIL EPDM - FULLY ADHERED
- COVER BOARD - ADHERED
- TAPERED EPS INSULATION - ADHERED
- 3 1/2" EPS INSULATION - ADHERED
- PEEL & STICK VAPOR RETARDER ON CONCRETE ROOF DECK

1 NEW ROOF AT EDGE  
03 SCALE: NTS

MATANUSKA SUSITNA BOROUGH  
FIRWEED BUILDING ROOF REPLACEMENT

533 E Fireweed Avenue  
Palmer, Alaska

Drawn	
Date	
Sheet Contents:	
<b>CONCEPTUAL DETAILS</b>	
Sheet No.:	

03